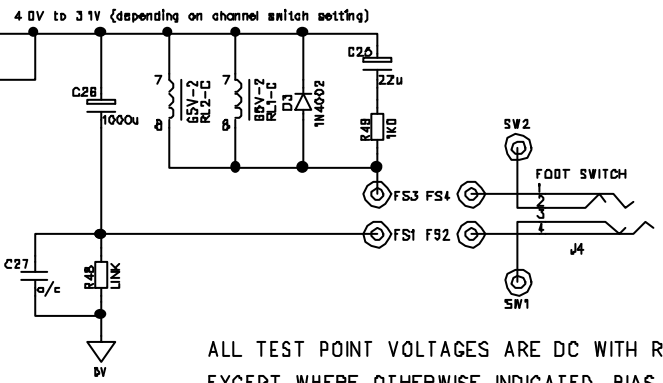
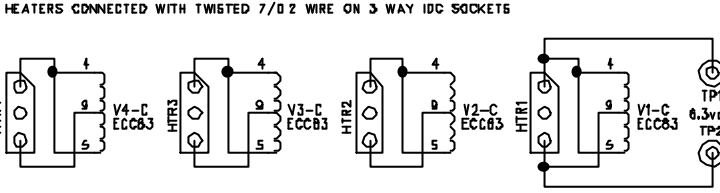
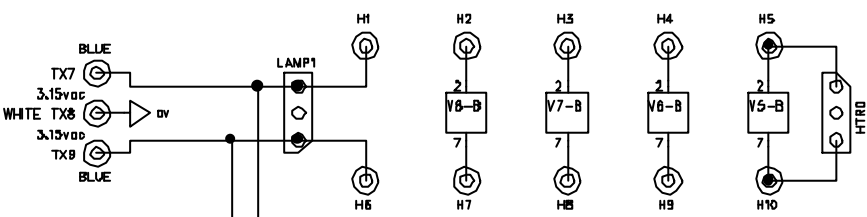
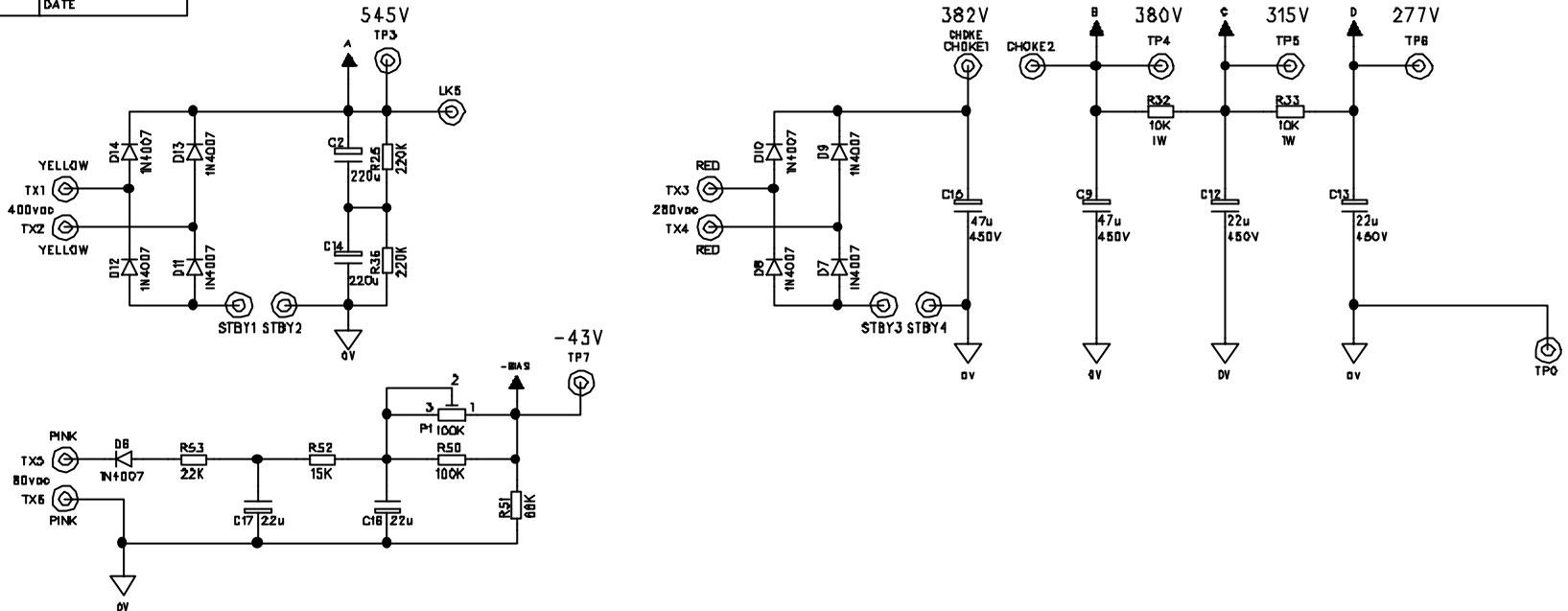


ISSUE CHANGE NOTE DATE	ISSUE CHANGE NOTE DATE	ISSUE CHANGE NOTE DATE



ALL TEST POINT VOLTAGES ARE DC WITH RESPECT TO TP0 0V EXCEPT WHERE OTHERWISE INDICATED. BIAS FULLY ANTI-CW TOLERANCE +/- 10%

